

# Montego Bay Cobra

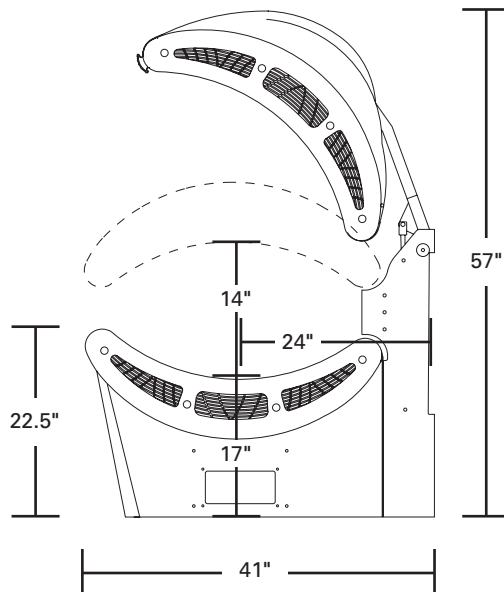
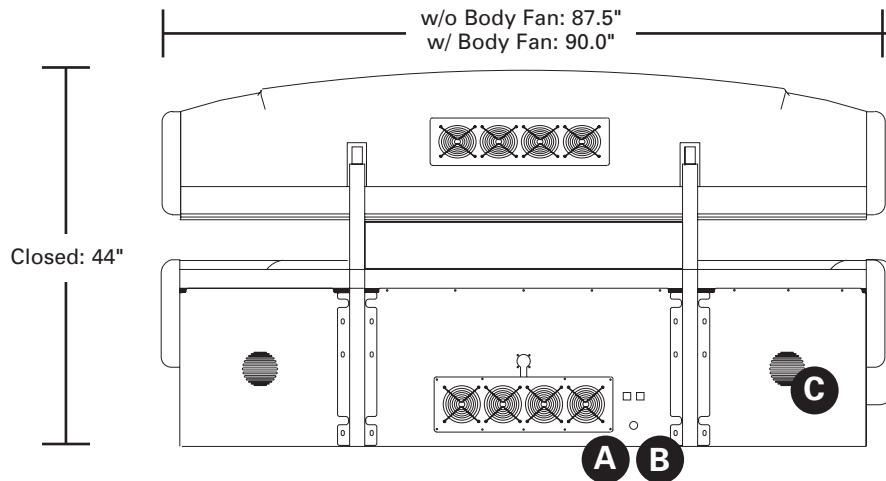
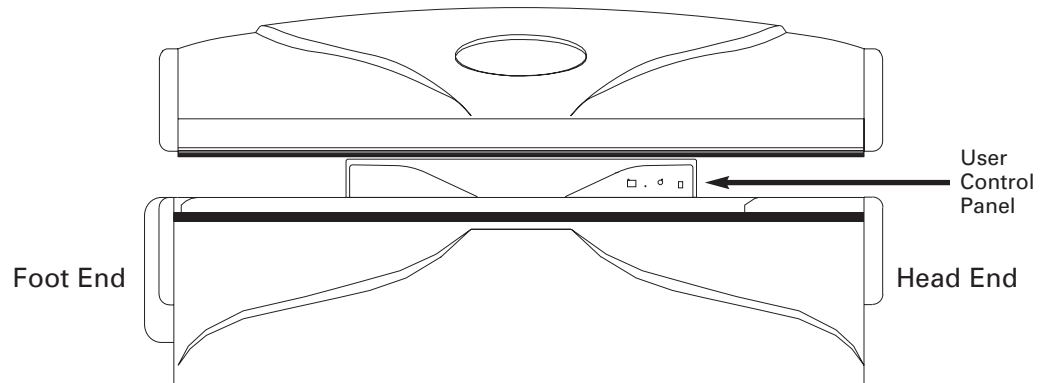
(all models)

## FOOTPRINT

1040 Wilt Avenue  
Ridgefield, NJ 07657  
1 800 FAST TAN  
(1 800 327 8826)  
pcmarketinguwe.com



## Dimensions & Specifications



- A** **Hardwired Electrical Connection Location:**  
EX, EXF, UX, SX, SXF, HX, HXF:  
Single phase, 230 Volt  
**30** Amp Breaker  
10 gauge wire  
  
UXF Only:  
Single phase, 230 Volt  
**40** Amp Breaker  
8 gauge wire
- B** **Timer Control**  
T-Max RJ 22 location for  
room-to-room connection
- C** **Air Conditioning Intake**  
Optional use feature with Body  
Fan (4" collar required)