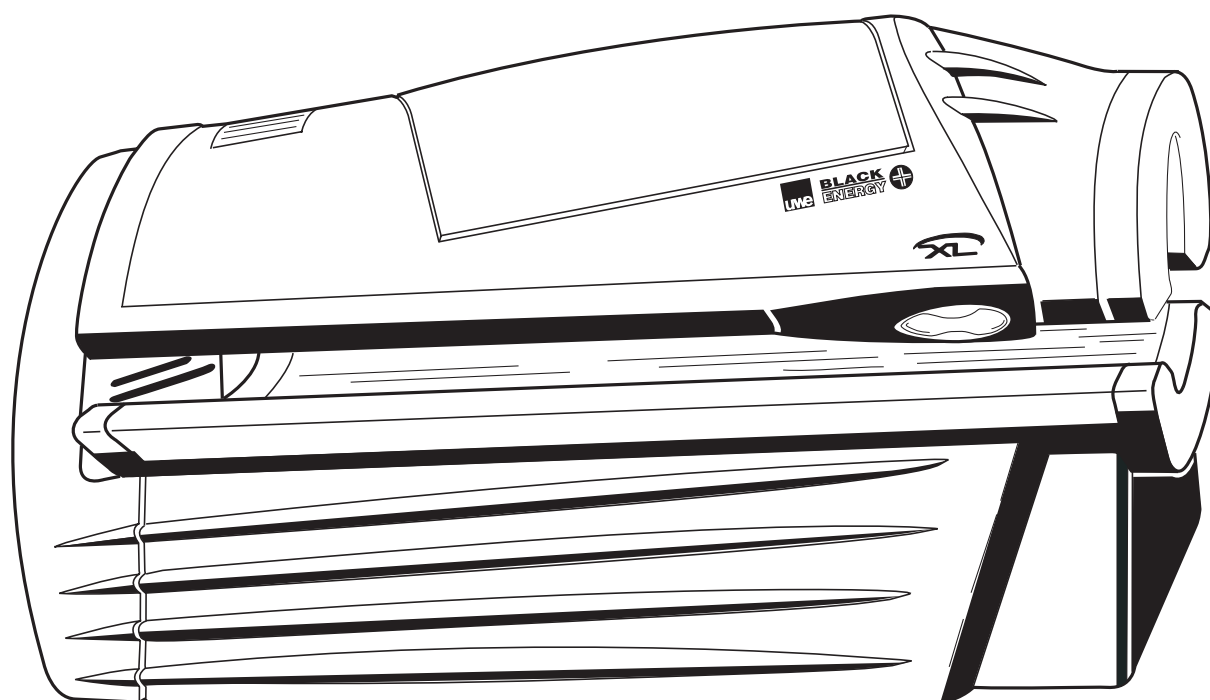


# INDOOR TANNING EQUIPMENT CARE, USE AND INSTALLATION INSTRUCTIONS



**Model:**  
**CPS**  
**BLACK ENERGY**  
**BLACK ENERGY XL**

**PC MARKETING**  
**1040 WILT AVENUE**  
**RIDGEFIELD, NJ 07657**



**1-800-FAST TAN**

## Foreword

Your unit is built according to state-of-the-art technology and is safe to operate. However, the unit can be dangerous if used by persons who have not been trained or shown how to use the unit, or if it is not used for the intended purpose. Therefore, these operating instructions and in particular the notes on safety must be read and understood by everyone involved with setting up, initial operation, operating, servicing and repairing the unit. Allow you and your staff to be instructed by a specialist before using the unit for the first time. In the unlikely event of a technical fault please contact our Customer Services or your dealer.

| <b>CONTENTS</b>                            |  | <b>PAGE</b>  |
|--|--|--------------|
| <b>1</b>                                   | <b>SAFETY INSTRUCTIONS</b> .....                               | <b>4-7</b>   |
| 1.1  | Before installation and placing in operation .....             | 4            |
| 1.2  | Before the unit is placed in operation .....                   | 4            |
| 1.3  | Danger - Ultraviolet Radiation .....                           | 4-7          |
| 1.4  | Proper Operation .....   | 7            |
| 1.5  | Product Liability .....  | 7            |
| 1.6  | Procedure in an Emergency .....                                | 7            |
| 1.7  | Explanation of Danger Symbols .....                            | 7            |
| <b>INFORMATION FOR THE SALON PERSONNEL</b> |  |              |
| <b>2</b>                                   | <b>OPERATION</b> .....   | <b>8-9</b>   |
| 2.1  | Equipment - New and Proven .....                               | 8            |
| 2.2  | Starting .....   | 8            |
| 2.3  | On the Bed .....   | 8            |
| 2.3.1                                      | Operating Panel 1 .....  | 8            |
| 2.3.2                                      | Operating Panel 2 .....  | 9            |
| 2.3.3                                      | Face Nozzles .....   | 9            |
| 2.4  | Cleaning the Acrylic Panel .....                               | 9            |
| <b>INFORMATION FOR THE OPERATOR</b>        |  |              |
| <b>3</b>                                   | <b>INITIAL OPERATION</b> .....                                 | <b>10</b>    |
| 3.1  | Important information! PLEASE READ! .....                      | 10           |
| 3.2  | Before Initial Operation .....                                 | 10           |
| 3.3  | Using the Unit for the First Time .....                        | 10           |
| <b>4</b>                                   | <b>CLEANING - IMPORTANT INFORMATION FOR THE OPERATOR</b> ..... | <b>10-11</b> |
| <b>5</b>                                   | <b>KNOW HOW FOR THE OPERATOR</b> .....                         | <b>11</b>    |
| 5.1  | Operating Hours .....  | 11           |
| 5.1.1                                      | Operating Hours Display .....                                  | 11           |
| 5.2  | Kinematics .....   | 11           |
| 5.3  | Warm Air Recirculation .....                                   | 11           |
| 5.4  | Early Starting .....   | 11           |
| <b>6</b>                                   | <b>SERVICING AND MAINTENANCE</b> .....                         | <b>12-18</b> |
| 6.1  | Exchanging the Acrylic Panel .....                             | 12           |
| 6.1.1                                      | Acrylic Panel of Bed .....                                     | 12           |
| 6.1.2                                      | Acrylic Panel of Canopy .....                                  | 12           |
| 6.2  | Servicing the High-Pressure Burner .....                       | 13           |
| 6.2.1                                      | Exchanging the High-Pressure Burner in the Canopy .....        | 13-14        |
| 6.3  | Exchanging the Lamps .....                                     | 14           |
| 6.3.1                                      | Exchanging the Long Sunlamp .....                              | 14           |
| 6.3.2                                      | U·P·P - Lamp .....   | 14           |
| 6.3.3                                      | Standby Light .....  | 14           |
| 6.3.4                                      | Exchanging the Floor Light .....                               | 15           |
| 6.4  | Exchanging the Filter Mats .....                               | 16           |
| 6.4.1                                      | Filter mats in the Base Casing .....                           | 16           |
| 6.4.2                                      | Filter Mats in the Canopy .....                                | 16           |
| 6.5  | Changing the Starter .....                                     | 16           |
| 6.5.1                                      | Changing the Starter for Long Sunlamp and Standby Light .....  | 16           |
| 6.5.2                                      | Changing the Starter for the U·P·P Lamp .....                  | 17           |
| 6.5.3                                      | Changing the Starter for the Floor Light .....                 | 17           |
| 6.6  | Kinematics .....   | 17           |
| 6.6.1                                      | Adjusting the Kinematics .....                                 | 17           |
| 6.6.2                                      | Changing the Springs .....                                     | 17           |
| 6.6.3                                      | Hydraulic Damper .....   | 18           |
| <b>7</b>                                   | <b>TIPS FOR RECTIFYING SMALLER FAULTS</b> .....                | <b>18</b>    |
| <b>8</b>                                   | <b>DISPOSAL</b> .....  | <b>18</b>    |

| <b>CONTENTS</b>  | <b>PAGE</b>  |
|--|--|
| <b>INFORMATION FOR THE ENGINEER AND uwe SPECIALIST</b> |  |
| <b>9</b>   | <b>INSTALLATION OF THE PROFI UNIT ..... 19-20</b>                                      |
| 9.1  | State on Delivery and Place of Installation ..... 19                                   |
| 9.2  | Assembly and Installation ..... 19   |
| 9.2.1  | Disassembling the Canopy ..... 19  |
| 9.2.2  | Disassembling the Bed ..... 19   |
| 9.2.3  | Disassembling the Boards and Air Conditioning Casing ..... 20<br>(Special Accessories) |
| 9.2.4  | Disassembling the Retaining Brackets ..... 20  |
| 9.2.5  | Assembling the Base ..... 20   |
| 9.2.6  | Assembling the Boards ..... 20   |
| 9.2.7  | Assembling the Air Conditioning Unit ..... 20  |
| 9.2.8  | Assembling the Canopy ..... 21   |
| 9.2.9  | Assembling the Bed ..... 21  |
| 9.2.10   | Setting the Operating Mode ..... 21  |
| 9.2.11   | Private Use ..... 22   |
| 9.3.   | Fitting the Superfan ..... 22  |
| 9.4  | Connecting the Exhaust ..... 22  |
| 9.4.1  | Direct Air Extraction with a Rear Exhaust Duct ..... 22                                |
| 9.4.2  | Direct Air Extraction with a Side Exhaust Duct ..... 22-23                             |
| 9.5  | Electrical Connection ..... 23   |
| 9.6  | Coin Meter or Central Desk Operation ..... 23  |
| 9.7  | Installing Air Conditioning at a Later Stage (Accessories) ..... 23-24                 |
| <b>10</b>  | <b>INITIAL OPERATION ..... 25</b>  |
| 10.1   | Technical Specifications, Dimensions and UV-Type ..... 25                              |
| <b>11</b>  | <b>CUSTOMER SERVICE ADDRESS ..... 25</b>   |
|  | <b>PICTURES ..... 26-27</b>  |

## 1 SAFETY INSTRUCTIONS

- 1.1 Before installation and placing in operation, the safety instructions and the operating instructions must be carefully read and observed.
- 1.2 Before the unit is placed in operation, the local safety regulations and the safety instructions must be complied with.

### 1.3 DANGER - ULTRAVIOLET RADIATION

Follow instructions. Avoid overexposure. As with natural sunlight, overexposure can cause eye and skin injury and allergic reactions. Medications or cosmetics may increase your sensitivity to the ultraviolet radiation. Consult physician before using sun lamp if you are using medication or have a history of skin problems or believe yourself especially sensitive to sunlight. If you do not tan in the sun, you are unlikely to tan from use of this product. Repeated exposure may cause premature aging of the skin and skin cancer.

**WEAR PROTECTIVE EYEWEAR: FAILURE TO DO SO MAY RESULT IN SEVERE BURNS OR LONG-TERM INJURY TO THE EYES.**

Therefore, you must observe the following safety instructions:

The ultraviolet radiation is very intense. DO NOT look at the tanning lamps.

While tanning, close your eyes, and always use the protective eyewear that is supplied.

Before tanning, always remove jewelry.

DO NOT tan more frequently than once every two days.

For recommendations about exposure times and recommended frequencies, please see our RECOMMENDED EXPOSURE SCHEDULE, which is enclosed with every unit.

## RECOMMENDED EXPOSURE SCHEDULE

### • BLACK ENERGY / CPS+

Schedule for lamps type: see lamps page 15 .

| SKIN TYPE     | WEEK 1<br>1ST-3RD<br>SESSIONS | WEEK 2<br>4TH-6TH<br>SESSIONS | WEEK 3<br>7TH-10TH<br>SESSIONS | WEEK 4<br>11TH-15 <sup>TH</sup><br>SESSIONS | WEEK 5 &<br>SUBSEQUEN<br>SESSIONS |
|---------------|-------------------------------|-------------------------------|--------------------------------|---|-----------------------------------|
| II - FAIR     | 2 MIN                         | 3 MIN                         | 6 MIN                          | 12 MIN                                      | 12 MIN                            |
| III - AVERAGE | 2 MIN                         | 4 MIN                         | 6 MIN                          | 12 MIN                                      | 12 MIN                            |
| IV - BROWN    | 2 MIN                         | 6 MIN                         | 8 MIN                          | 12 MIN                                      | 12 MIN                            |
| V- DARK BROWN | 2 MIN                         | 6 MIN                         | 8 MIN                          | 12 MIN                                      | 12 MIN                            |

### • BLACK ENERGY XL:

→ Filterdiscs DS 2932 and MUG 6 plus (NO. 22 010), VHR lamps, 12 MIN. TIMER.

Schedule for lamps type: see lamps page 15.

| SKIN TYPE     | WEEK 1<br>1ST-3RD<br>SESSIONS | WEEK 2<br>4TH-6TH<br>SESSIONS | WEEK 3<br>7TH-10TH<br>SESSIONS | WEEK 4<br>11TH-15 <sup>TH</sup><br>SESSIONS | WEEK 5 &<br>SUBSEQUENT<br>SESSIONS |
|---------------|-------------------------------|-------------------------------|--------------------------------|---|------------------------------------|
| II - FAIR     | 2 MIN                         | 3 MIN                         | 6 MIN                          | 12 MIN                                      | 12 MIN                             |
| III - AVERAGE | 2 MIN                         | 4 MIN                         | 6 MIN                          | 12 MIN                                      | 12 MIN                             |
| IV - BROWN    | 2 MIN                         | 6 MIN                         | 8 MIN                          | 12 MIN                                      | 12 MIN                             |
| V- DARK BROWN | 2 MIN                         | 6 MIN                         | 8 MIN                          | 12 MIN                                      | 12 MIN                             |

### • BLACK ENERGY XL:

→ Filterdiscs SOLADUR (NO. 02 930) and MUG 6 plus (NO. 22 010), VHO lamps,

15 MIN. TIMER.

Schedule for lamps type: see lamps page 15.

| SKIN TYPE     | WEEK 1<br>1ST-3RD<br>SESSIONS | WEEK 2<br>4TH-6TH<br>SESSIONS | WEEK 3<br>7TH-10TH<br>SESSIONS | WEEK 4<br>11TH-15 <sup>TH</sup><br>SESSIONS | WEEK 5 &<br>SUBSEQUENT<br>SESSIONS |
|---------------|-------------------------------|-------------------------------|--------------------------------|---|------------------------------------|
| II - FAIR     | 3 MIN                         | 5 MIN                         | 9 MIN                          | 15 MIN                                      | 15 MIN                             |
| III - AVERAGE | 5 MIN                         | 6 MIN                         | 9 MIN                          | 15 MIN                                      | 15 MIN                             |
| IV - BROWN    | 5 MIN                         | 8 MIN                         | 11 MIN                         | 15 MIN                                      | 15 MIN                             |
| V- DARK BROWN | 5 MIN                         | 8 MIN                         | 11 MIN                         | 15 MIN                                      | 15 MIN                             |

Tanning can begin on a regular basis (allowing 48 hours between sessions). An appearance of tanning normally occurs after a few exposures and maximizes after four (4) weeks of exposure following the recommended exposure schedule for your skin type. In order to provide for maintenance of a tan, a maximum of two (2) weekly 15 minute sessions is recommended from the fifth week onward.

**USE PROTECTIVE EYEWEAR (Schmerter model no. 2255, PC MARKETING ART. NO 81455) WHENEVER THE EQUIPMENT IS ENERGIZED. READ THE INSTRUCTION BOOKLET BEFORE USING THIS PRODUCT.**



## **WARNING:**

Warning

If you have been diagnosed by a physician as being allergic to the sun or are currently taking photosensitive medications, consult your physician before using this product.

Children, persons with fair skin, elderly persons and persons who have a history of skin problems or believe yourself especially sensitive to sunlight, should avoid using this product. If you do not tan in the sun you are unlikely to tan from the use of this product.

Certain drugs - particularly those designed to enhance photosensitivity - may cause individuals under their influence to experience adverse effects, and those people should avoid exposure to UV sources of all kinds. Doctors will advise persons taking these drugs of possible adverse effects.

It is recommended that only one person at a time use the tanning system. Use protective eyewear while tanning. One pair of protective eyewear is provided with each unit sold.

Occasionally, persons, using the tanning system will experience a slight reddening of the skin - usually in small patches - after the second or third session. This redness is often accompanied by an itching sensation. This is nothing more than a heat "rash" caused by heat from the lamps within the system. It is generally very limited and caused by constant contact of the skin with the acrylic surface. It will go away within approximately 24 hours and should not reappear. This rash can be lessened or prevented by turning over occasionally during sessions in the unit, and by applying moisturizing lotion to the affected area after the tanning session is complete.

## **CAUTION**

**WHILE THERE IS NO IMMEDIATE CLINICAL EVIDENCE REGARDING UVA EXPOSURE AND ITS EFFECTS UPON EXPECTANT MOTHERS, IT IS STRONGLY ADVISED THAT EXPECTANT MOTHERS BE DISCOURAGED FROM USING THIS PRODUCT.**

## **EXPOSURE TIMES AND FREQUENCIES**

Melanin, the brownish pigment produced by special cells in the base layers of the skin determines the individuals ability to tan. As the skin is exposed to ultraviolet rays, the melanin is activated and combines with protein cells that rise to the skin's surface, thus producing a tan. The amount of melanin in your body determines how quickly and darkly you can tan.

## NOTE

THE TAN PRODUCED BY THE UNIT IS A DEEP, RICH "COSMETIC" TAN. HOWEVER, REGARDLESS OF HOW MUCH AN INDIVIDUAL MAY TAN WITH THIS UNIT, IT WILL NOT PROVIDE ADEQUATE PROTECTION AGAINST OVER-EXPOSURE TO NATURAL SUNLIGHT OR UVB TANNING SYSTEMS.

SKIN TYPE II- THIS IS THE INDIVIDUAL THAT USUALLY BURNS EASILY AND ASILY AND SEVERELY, TANS MINIMALLY OR LIGHTLY AND PEELS.

SKIN TYPE III - OFTEN REFERRED TO AS "AVERAGE" COMPLEXION, BURNS MODERATELY AND TANS ABOUT AVERAGE.

SKIN TYPE IV - THIS INDIVIDUAL BURNS MINIMALLY, TANS EASY AND ABOVE AVERAGE WITH EACH EXPOSURE.

SKIN TYPE V - THIS INDIVIDUAL RARELY BURNS, TANS EASILY.

## RECOMMENDED EXPOSURE SCHEDULE

### BLACK ENERGY / CPS+

| SKIN TYPE     | WEEK 1<br>1ST-3RD<br>SESSIONS | WEEK 2<br>4TH-6TH<br>SESSIONS | WEEK 3<br>7TH-10TH<br>SESSIONS | WEEK 4<br>11TH-15 <sup>TH</sup><br>SESSIONS | WEEK 5 &<br>SUBSEQUEN<br>SESSIONS |
|---------------|-------------------------------|-------------------------------|--------------------------------|---|-----------------------------------|
| II - FAIR     | 2 MIN                         | 3 MIN                         | 6 MIN                          | 12 MIN                                      | 12 MIN                            |
| III - AVERAGE | 2 MIN                         | 4 MIN                         | 6 MIN                          | 12 MIN                                      | 12 MIN                            |
| IV - BROWN    | 2 MIN                         | 6 MIN                         | 8 MIN                          | 12 MIN                                      | 12 MIN                            |
| V- DARK BROWN | 2 MIN                         | 6 MIN                         | 8 MIN                          | 12 MIN                                      | 12 MIN                            |

### BLACK ENERGY XL 12 MIN. TIMER

| SKIN TYPE     | WEEK 1<br>1ST-3RD<br>SESSIONS | WEEK 2<br>4TH-6TH<br>SESSIONS | WEEK 3<br>7TH-10TH<br>SESSIONS | WEEK 4<br>11TH-15 <sup>TH</sup><br>SESSIONS | WEEK 5 &<br>SUBSEQUENT<br>SESSIONS |
|---------------|-------------------------------|-------------------------------|--------------------------------|---|------------------------------------|
| II - FAIR     | 2 MIN                         | 3 MIN                         | 6 MIN                          | 12 MIN                                      | 12 MIN                             |
| III - AVERAGE | 2 MIN                         | 4 MIN                         | 6 MIN                          | 12 MIN                                      | 12 MIN                             |
| IV - BROWN    | 2 MIN                         | 6 MIN                         | 8 MIN                          | 12 MIN                                      | 12 MIN                             |
| V- DARK BROWN | 2 MIN                         | 6 MIN                         | 8 MIN                          | 12 MIN                                      | 12 MIN                             |

### BLACK ENERGY XL 15 MIN. TIMER

| SKIN TYPE     | WEEK 1<br>1ST-3RD<br>SESSIONS | WEEK 2<br>4TH-6TH<br>SESSIONS | WEEK 3<br>7TH-10TH<br>SESSIONS | WEEK 4<br>11TH-15 <sup>TH</sup><br>SESSIONS | WEEK 5 &<br>SUBSEQUENT<br>SESSIONS |
|---------------|-------------------------------|-------------------------------|--------------------------------|---|------------------------------------|
| II - FAIR     | 3 MIN                         | 5 MIN                         | 9 MIN                          | 15 MIN                                      | 15 MIN                             |
| III - AVERAGE | 5 MIN                         | 6 MIN                         | 9 MIN                          | 15 MIN                                      | 15 MIN                             |
| IV - BROWN    | 5 MIN                         | 8 MIN                         | 11 MIN                         | 15 MIN                                      | 15 MIN                             |
| V- DARK BROWN | 5 MIN                         | 8 MIN                         | 11 MIN                         | 15 MIN                                      | 15 MIN                             |

No two individual skin tones are the same. A tan to one person may be different to another, and session length may vary. It is recommended that, following a tanning session, a skin moisturizer be applied. This promotes a smoother more even looking tan. Equally important - many facial make-ups have oil bases and should be removed prior to each tanning session.

## NOTE

SINCE THE BACK AND STOMACH AREAS OF THE BODY WILL RECEIVE THE MAJORITY OF THE TANNING RAYS, IT IS RECOMMENDED THAT INDIVIDUALS SPEND ONE HALF OF EACH SESSION LYING ON EACH SIDE OF THE BODY TO ACHIEVE A FULL-BODIED TAN.

SINCE YOUR UNIT WILL CAST OFF SOME HEAT, IT IS RECOMMENDED THAT A SMALL FAN BE USED TO IMPROVE AIR CIRCULATION DURING SESSIONS. LIKEWISE, ADEQUATE VENTILATION OF THE ROOM OR BOOTH HOUSING THE UNIT IS REQUIRED FOR COMFORTABLE OPERATION.



## WARNING

Warning

COMMERCIALY AVAILABLE CREAMS, LOTIONS AND OILS CONTAIN SUNSCREENS WHICH FORM A PHYSICAL BARRIER ON THE SKIN THAT PREVENTS THE UVA RAYS FROM PENETRATING AND INDUCING A TAN. IT IS RECOMMENDED THAT YOU USE ONLY CREAMS, OILS OR LOTIONS THAT **DO NOT CONTAIN POLYETHYLENE/GLYCOL LAURATE OR POLYETHYLENE/GLYCOL MONO LAURATE** AND ARE DESIGNED FOR USE WITH INDOOR TANNING EQUIPMENT. FAILURE TO COMPLY WITH RECOMMENDATIONS AND WARNINGS STATED ABOVE MAY VOID THE MANUFACTURER'S WARRANTY.

THIS UNIT **MUST NOT** BE USED IF THE TIMER IS FAULTY OR IF A FILTER GLASS IS BROKEN.

### 1.4 Proper Operation

All units are intended solely for indoor tanning. Operate the unit only in places where there is no risk of hazard, and only in dry rooms. The rooms must be well ventilated (adequate air inflow and outflow). If unit is operated in a tanning salon, extremely strict hygiene must be ensured both on the unit and in the room. Any type of use not complying is improper, and the manufacturer will not accept liability for any resulting damage or liability. Proper operation also includes compliance with the operating, maintenance and repair conditions specified by the manufacturer. Maintenance work, repair work should only be performed by a qualified service technician or by persons authorized by PC Marketing, Inc. If unauthorized modifications are made on the units, the manufacturer will not accept liability for any resulting damage or injury.

### 1.5 Product Liability

The unit may only be operated in the proper manner. If it is operated in an improper manner, the user assumes sole responsibility. In such cases, the manufacturer cannot accept any liability.

### 1.6 Procedure in an Emergency

Switch off the electrical supply to the unit by operating the main power switch or circuit breakers, and secure the unit to prevent it from being switched on again without authorization.

### 1.7 Explanation of Danger Symbols



## WARNING

Warning

In these operating instructions, we have used this symbol to mark all items that relate to operating safety.



## IMPORTANT!

Function

In these operating instructions, we have used this symbol to mark all items that contain essential information for operating the unit.

## INFORMATION FOR THE SALON PERSONNEL

### 2 OPERATION

#### 2.1 Equipment - New and Proven

**Important Information! PLEASE READ!**



Function

1. See the catalogue for the equipment and features of your unit.
2. Please observe the notes which apply to your unit.
3. Please pass on all this information to the user.

#### **Power Level (for unit CPS only)**

You can determine the intensity of your tanning session, that is to say how many sunlamps are lit.

#### **Temperature**

You can decide how much cool air is blown inside the unit during your tanning session.

#### **Fan**

The fan continues to run for approx. 4 minutes (set at the factory) after the tanning session to allow the unit to cool.

#### **Floor Light**

Under the large covering panel in front of the base there is an illumination lamp which bathes the unit in soft light (Fig. 14).

#### **Standby Light (Passive Background Lighting)**

The interior of the unit is illuminated by lamps in the canopy behind the tanning lamps (Fig. 13).

#### **Kinematics**

The canopy can be easily pulled to the correct position using the handle and remains in this position until moved again by the user. This movement is ensured by a spring mechanism in the base casing.

#### 2.2 Starting

Please read the leaflet „The Sun and You“.

**Do not exceed the tanning time recommended for your skin type. Avoid sunburn.**

**Never undergo ultraviolet exposure if you have sunburn.**

**Your final tan (when your skin does not tan any more) depends on your skin type. This cannot be changed by using a solarium but only maintained. Use protective goggles when tanning.**

**People who have undergone surgery to their eye lenses must wear protective goggles.**

**You can interrupt your tanning session at any time by pressing the red EMERGENCY STOP button on the coin meter or the STOP button on the interior operating panel.**

**Note** Insert coins or tokens into the coin meter.

You can change the tanning program you have chosen at any time during the tanning session. Operate the interior operating panel from the bed. The unit switches on automatically after the pre-tanning time.

#### 2.3 On the Bed

1. Lay down on the bed.

**Keep your body away from the front edge of the bed. Danger of squashing!**



Warning

2. Pull the canopy all the way down using the rail (1/2).

The distance from the lamps is determined by the design of the unit.

If the tanning session has not yet begun, the pre-tanning time is still active. The lamps switch on automatically after the pre-tanning time.

#### **Ending the Pre-Tanning Time Prematurely (early starting or remote starting)**

1. Press the START button on the interior operating panel. The unit starts immediately (before the pre-tanning time has elapsed).

### 2.3.1 Operating Panel 1

- **LED Display**

The 2-figure LED display (2/1) counts the time of the tanning session in minute intervals once the sunlamps are switched on. Here you can read how many minutes of the tanning session have elapsed. After the tanning session is complete the unit switches off and the display shows 00.



Function

**You can interrupt the tanning session at any time by pressing the STOP button (2/2).**

- **STOP and START Buttons**

During the tanning session you can press the STOP button (2/2) to interrupt the tanning and the START button (2/3) to start the tanning again (warning: The high-pressure burners only re-ignite after a cooling time of 4 minutes). The tanning time continues during the interruption, i.e. the display continues to count the minutes elapsed.

- **Switches for Cooling**

You can control the air-conditioning you prefer separately with these two switches. Switch (2/4) controls the cool air inflow from the Superfan at the base of the unit and switch (2/5) controls the cool air inflow from the face nozzles (4/1) at the top of the canopy.

- **Tanning Switch (BLACK ENERGY only)**

The two switches on the BLACK ENERGY HD unit allow you to operate the sunlamps for face tanning in addition to the long sunlamps. Switch (2/6) controls the middle face tanner, switch (2/7) controls the two outer face tanning lamps.

### 2.3.2 Operating Panel 2 (only with CPS+)

**CPS - Controlled Power System with 5 programmed levels of intensity (Fig. 3)**

#### 5 Buttons

1. Select your own tanning intensity, i.e. you decide how many sunlamps should be lit.
2. If you press the key for the next level, the sunlamps switch on.

Note

**If you skip through several levels of tanning intensity, the unit gradually increases the intensity (in 3 minute intervals) until the tanning intensity you selected is reached. If you select a lower level, the unit adapts the intensity immediately.**

3. If you do not select a tanning level, the intensity is set to Basicpower.

### 2.3.3 Face Nozzles

Note

**The face nozzles (4/1) direct cool air over the face area.**

1. You can swivel these nozzles to suit your preferences.
2. You can close the nozzle completely by turning it 90 degrees.

### 2.4 Cleaning the Acrylic Panel: Use UWE cleaner only!

**Always pay attention to hygiene.**

**The bed must be disinfected and cleaned after every tanning session.**

**Keep UWE cleaner and other cleaning agents away from your eyes. Do not spray into naked flames!**

**Do not drink.**

**Keep out of the reach of children.**

**Use cleaning agents as directed by the manufacturer and observe the acting time.**

**Do not pour liquids onto the unit to ensure moisture does not seep under the covering panel into the electrics.**

#### Cleaning the Acrylic Panel

1. Clean the acrylic panel after every tanning session with uwe PICCOBELLO cleaner or Paletti Hydrovlies.
2. If using the PICCOBELLO cleaning agent, spray onto the acrylic panel and leave for 1 minute.
3. Always dry the panel afterwards with a clean cloth.

## INFORMATION FOR THE OPERATOR

### 3 INITIAL OPERATION

#### 3.1 Important information! PLEASE READ!

Do not put defective units into operation.

Please send a copy of the inspection report in accordance with DIN VDE 0701 to the UWE Customer Services Department.

Observe the highest permissible room temperature (max. 95°F / 35°C) or the bed may become too hot.

Observe the requirements with regard to hygiene.

Provide protective goggles and ensure they are worn.

Point out the importance of observing the tanning time depending on skin type.

Keep the assembly and operating instructions handy.

Post the notes on safety and the „The Sun and You“ leaflet in the solarium room where they can be seen easily.

Only operate the unit for longer periods of time with the canopy closed.

There is a sticker on the acrylic panel with important information in 4 languages. Please read this information and then remove the sticker.

#### 3.2 Before Initial Operation

The notes on safety and operating instructions must be read carefully and observed before the unit is set up and operated for the first time.

#### 3.3 Using the Unit for the First Time

Before using the unit for the first time, the local safety specifications and notes on safety must be observed. The unit must only be put into operation when it is completely assembled, connected to the mains and the coin meter or central desk.

## 4 CLEANING - IMPORTANT INFORMATION FOR THE OPERATOR

Pay particular attention to hygiene on and around the unit. Dust reduces the tanning effect.

Keep cleaning agents away from eyes!

Do not spray into naked flames!

Do not drink! Keep out of the reach of children!

Do not pour liquids onto the unit to ensure moisture does not seep under the covering panel into the electrics.

Use cleaning agents as directed. Observe the acting time given by the manufacturer.

There is no guarantee or warranty liability if another cleaning agent is used.

#### • Body

1. Clean the painted outer surface of the unit with a dampened cloth. The water used to moisten the cloth may contain a little detergent.
2. Do not use scouring agents.
3. Remove stubborn dirt with a soft cloth and a biodegradable cleaning agent (e.g. a cleaning agent containing vinegar).

#### • Acrylic Panel

PICCOBELLO is particularly suitable for disinfecting, deodorising and cleaning all kinds of surfaces, in particular in tanning salons and fitness studios. PICCOBELLO is supplied by UWE as a concentrate and must be diluted in water to a solution suitable for use.

#### Diluting PICCOBELLO ready for use

1. Mix 15 ml PICCOBELLO in 1 litre of water to give a 1.5% solution with an acting time of 1 minute.

#### Cleaning the Acrylic Panels

1. Only use original UWE PICCOBELLO cleaner or Paletti Hydrovlies to clean the acrylic panels.
2. If using the PICCOBELLO cleaning agent, spray onto the bed (acrylic panel) and leave to work for 1 minute.
3. Always dry the panel afterwards with a clean cloth.
4. From time to time clean the other side of the bed and the corrugated acrylic panel under the bed panel.



Warning

### Removing the Acrylic Panel of the Bed

1. Use coin to turn the slot in the bolt (5/1) parallel to the front of the unit.
2. Do the same with the other bolt.
3. Lift the bed panel (6/1) upwards.
4. Lift out the lower corrugated acrylic panel (6/2).
5. Clean the underneath of the bed panel and the underneath of the acrylic panel with PICCOBELLO cleaner or Paletti Hydrovlies.

### Fitting the Acrylic Panel of the Bed

1. Lay the corrugated acrylic panel (6/2) on the bed.  
**The corrugated acrylic panel must touch the foot of the unit and the rest against the bracket at the head of the unit.**
2. Fit the bed panel (6/1).
4. Use a coin to turn the slot in the bolts (5/1) vertical to the front of the unit.

#### • Reflector

1. Wipe the reflector when the lamps are changed with a cloth which has been soaked in alcohol.

## 5 KNOW HOW FOR THE OPERATOR

### 5.1 Operating Hours

#### 5.1.1 Operating Hours Display

##### Reading the Operating Hours

**Note** The operating hours can be read from the counter (7/1) in the base casing of the unit.

### Removing the Large Covering Panel in Front of the Base

1. Unscrew the two bolts (7/4) from the covering panel (7/5).
2. Remove the covering panel by pulling forwards.

### Removing the Covering Panel (7/2) and Filter Mats

1. Unscrew the bolts (7/3) which secure the covering panel (7/2).
2. Remove the covering panel (7/2).
3. Read off the operating hours.



Warning

### 5.2 Kinematics NEW

The canopy can be easily pulled to the correct position using the handle and remains in this position until moved again by the user. This movement is ensured by a spring mechanism in the base casing (26/1).

The upper limit stop for the canopy is determined by a strap (26/2).

The lower limit stop of the canopy is determined by two rubber buffers (26/4).

Both limit stops are adjusted by uwe at the factory before the unit is shipped.



Function

**Check at least once a year, that the canopy weight compensation is working correctly. The canopy must not drop down again independently after it has been pushed up. If the spring suddenly slackens, the cause must be determined by a specialist service engineer. Never compensate for the loss of spring resistance by resetting the adjusting spindle (Figure 26/6).**

**Only order original replacement springs from your specialist dealer or the unit manufacturer (see Chapter 6.6).**

### 5.3 Warm Air Recirculation

The air warmed by the unit can be guided back into the cubicle. This allows the cubicle to be heated during cooler months at no extra cost.

#### Setting the Warm Air Recirculation

1. Use the ball handle (8/1) on the back of the unit to set the warm air recirculation.  
The size of the slit (8/2) determines the amount of warmed air blown into the room.

**Further information about warm air recirculation can be found in the catalogue entitled**

**Note** "Ventilation Tips".

### 5.4 Early Starting

The early start function must be enabled at the coding plug.

## 6 SERVICING AND MAINTENANCE

Always unplug the unit from the mains!

The operator must ensure that the unit is always operated in perfect condition.

Ensure the technical equipment is serviced and checked regularly.

Additional measures such as preventing unauthorised access are required when repairing or restarting the unit after servicing.

Only authorised persons may work on the unit, please contact your specialist dealer or UWE.

Do not use work procedures which impair the safety of the unit.

Always obtain original spare parts from your specialist dealer or UWE. Liability cannot be assumed if other lamps, burners, starters or springs are installed other than UWE original parts.

Do not operate the unit without the acrylic panels.



Warning

### 6.1 Exchanging the Acrylic Panel

The acrylic panels are special panels with high UV permeability.

Therefore never replace the acrylic panels with window glass or commercial Plexiglas because these partially or completely filter out the UV rays. Always obtain the original acrylic panels from your specialist dealer or the unit manufacturer.

Note

On delivery, the acrylic panel is covered on both sides with protective sheeting. Remove this sheeting before use in the tanning unit. Do not operate the unit without the acrylic panel, this no longer ensures that the lamps are cooled.



Warning

The manufacturer assumes no liability for damage.

#### LIGHTGLASS Special Version

The acrylic panel of the canopy and upper acrylic panel of the bed are frosted on one side.

1. During installation ensure that the frosted side of the acrylic panel always faces the lamps.
2. Do not polish the frosted side of the acrylic panel with polish.

#### 6.1.1 Acrylic Panel Bed

##### Removing the Acrylic Panels

1. Take a coin.
2. Turn the slot in the bolt (5/1) parallel to the front of the unit.
3. Do the same with the other bolt.
4. Remove the acrylic panel (6/1).
5. Lift out the corrugated acrylic panel (6/2).

##### Fitting the Acrylic Panels

1. Lay the corrugated acrylic panel (6/2) on the bed.  
**The corrugated acrylic panel must touch the foot of the unit and the rest against the bracket at the head of the unit.**
2. Fit the bed panel (6/1).
4. Use a coin to turn the slot in the bolts (5/1) vertical to the front of the unit.



Function

#### 6.1.2 Acrylic Panel of the Canopy

##### Removing the Acrylic Panel

1. Use a coin to turn the slot in the bolt (9/1) to the left.
2. Press the holder (9/2) back towards the hinges of the canopy.
3. Press the acrylic panel (9/3) towards the lamps and rear bracket of the canopy until the acrylic panel slides out of the groove of the front bracket.
4. Hold the front long side of the acrylic panel and tilt the panel down towards the bed.
5. Lift the other side of the acrylic panel out of the groove.

##### Fitting the Acrylic Panel

1. Lift the acrylic panel.
2. Slide the acrylic panel into the groove of the rear bracket of the canopy.
3. Press the acrylic panel towards the lamps and rear bracket of the canopy until you can insert the front long side of the panel into the groove.
4. Slide the holder (9/2) towards the centre of the unit.  
**The acrylic panel must fit between the two blocks of the bolt (Figure 9).**
5. Lock the bracket in place. Use a coin to turn the slots in the bolts to the right.



Function

## 6.2 Servicing the High-Pressure Burners

The high-pressure burners must only be used with the two filter discs. If the discs are damaged or missing the unit must not be operated. **Danger of burning! Danger of blinding.**

If the GB is switched on again straight away, depending on the type, it either does not ignite immediately or does not provide full power since a 4-minute cooling off phase is required.

When replacing the high-pressure burner, please contact the unit manufacturer or your specialist dealer. No liability is assumed if a new original burner is not installed.

### BREAKSAFE

The transparent filter discs of the GB unit are protected with a BREAKSAFE device. If one of the transparent filter discs breaks, the power supply is interrupted and the unit can only be restarted when the filter disc has been replaced with a new one. The blue filter discs must be checked.

### 6.2.1 Changing the High-Pressure Burner in the Canopy



Warning

#### Warning!

1. Hold the high-pressure burner by the rectangular base only.
2. Never pull the high-pressure burner by the glass bulb.
3. Never touch the glass bulb of the high-pressure burner with your fingers.
4. If you touch the glass bulb by accident, wipe off the finger prints with a clean cloth soaked in alcohol.

#### Removing the Acrylic Panel

1. Use a coin to turn the slot in the bolt (9/1) to the left.
2. Press the holder (9/2) back towards the hinges of the canopy.
3. Press the acrylic panel (9/3) towards the lamps and rear bracket of the canopy until the acrylic panel slides out of the groove of the front bracket.
4. Hold the front long side of the acrylic panel and tilt the panel down towards the bed.
5. Lift the other side of the acrylic panel out of the groove.

#### Removing the High-Pressure Burner

1. Loosen the set screw (10/6).
2. Hold the panel holder (10/3) with both hands and turn towards the front of the unit.
3. Push the panel holder towards the front of the unit.
4. Remove the panel holder.
5. Hold the high-pressure burner (10/9) by the rectangular base.
6. Push the burner longitudinally into the holder (10/1) until the other side is released.
7. Remove the burner.

#### Cleaning the Reflector

1. Clean the reflector (10/2) with a clean cloth soaked in alcohol.

#### Fitting the High-Pressure Burner

1. Hold the new high-pressure burner (10/9) by the base.
2. Insert the burner into the holder (10/1).
3. Press the holder back.
4. Insert the burner.

#### Removing the Filter Discs

1. Take the panel holder (10/3).
2. Unscrew the 2 bolts (10/7) and remove the covering plate (10/8).
3. Remove the blue filter disc and the transparent filter disc.

#### Cleaning the Filter Discs

1. Clean both filter discs with warm water. The water may contain a little detergent.
2. Dry the filter discs with a clean cloth.



Warning

### Fitting the Filter Discs

Warning:

|                                   |                     |
|-----------------------------------|---------------------|
| When assembling: Blue filter disc | Nearest the user!   |
| Transparent filter disc           | Nearest the burner! |

The high-pressure burners must not be used without the filter discs.



Function

1. Insert the cleaned filter discs.
2. Fit the covering plate (10/8).
3. Insert the completely assembled panel holder (10/3) with the cleaned filter discs.
4. Swivel the panel holder towards the canopy.  
**The lug of the microswitch for the BREAKSAFE fuse is pressed back.**
5. Secure the panel holder in place by tightening the set screw (10/6).



Function

### Fitting the Acrylic Panel

1. Flip up the acrylic panel (9/3).
2. Slide the acrylic panel into the groove of the rear bracket of the canopy.
3. Press the acrylic panel towards the lamps and rear bracket of the canopy until you can insert the front long side of the panel into the groove.
4. Slide the holder (9/2) towards the centre of the unit.  
**The acrylic panel must fit between the two blocks of the bolt (Figure 9).**
5. Lock the holder in place. Using a coin, turn the slots of the bolts (9/1) to the right.

## 6.3 Exchanging the Lamps

### Burning-in the Lamps

**Note** To begin with the lamps are slightly different in colour. These differences disappear over time. The lamps are darker at the ends. This is a physical property and not a fault with the lamps.

#### 6.3.1 Exchanging the Long Sunlamp

##### Exchanging the Lamp

1. Remove the appropriate acrylic panel.
2. Turn the sunlamp (11/4) in either direction until the contact pins (11/2) can be seen in the groove of the lamp holder (11/1).
3. Remove the lamp.
4. Clean the reflector with a cloth soaked in alcohol.
5. Hold the new sunlamp horizontal so that the contact pins are vertically above one another.
6. Press the sunlamp into the lamp holder in this position. Turn the sunlamp 90 degrees so that the notch (11/3) in the metal ring at the end of the lamp is at the top.  
**If using a reflector lamp, the lighter reflector side of the lamp must face the unit and the stamp of the lamp must face the user.**
7. Fit the appropriate acrylic panel.



Function

#### 6.3.2 Exchanging the UPP Lamp

##### Exchanging the UPP Lamp

1. Remove the appropriate acrylic panel.
2. Turn the lamp (11/8) in either direction so that one contact pin (11/7) appears in the groove of the holder which is open at the bottom (11/6).
3. Remove the lamp by pulling downwards.
4. Hold the new lamp horizontally so that the contact pins are vertical one above the other.
5. Insert the lamp in this position into the groove which is open at the bottom (11/6). Tilt the lamp so that the contact pin fits securely in the socket of the holder (11/5).
6. Turn the lamp so that the second contact pin clips into the other socket.
7. Fit the appropriate acrylic panel.

#### 6.3.3 Standby Light (Passive Background Lighting)

1. Remove the acrylic panel from the canopy.
2. Remove the first 2 long sunlamps (13/1).
3. Turn the lamp (13/2) in any direction so that one contact pin fits into the groove of the holder which is open at the bottom.
4. Remove the lamp by pulling downwards.
5. Hold the new lamp horizontally so that the contact pins are vertical one above the other.
6. Insert the lamp in this position into the groove which is open at the bottom. Tilt the lamp so that one contact pin fits securely in the socket of the holder.
7. Turn the lamp so that the second contact pin clips into the other socket.
8. Install the acrylic panel for the canopy.

### 6.3.4 Exchanging the Floor Light (14/3)

#### Removing the Large Covering Panel in Front of the Base

1. Remove the screws (14/9) from the covering panel (14/8).
2. Remove the covering panel by pulling forwards.

#### Exchanging the Lamp

1. Turn the illumination lamp (14/3) in any direction until the contact pins can be seen in the groove of the holder. Remove the lamp.
2. Push the illumination lamp into the holder. Turn the lamp 90 degrees so that the notch in the metal ring at the end of the lamp is at the top.

#### Fitting the Large Covering Panel in Front of the Base

1. Position the covering panel (14/8) in front of the base.
2. Screw in the screws (14/9).

## RELAMPING INSTRUCTIONS

### REPLACEMENT LAMP TYPES

**CAUTION: REPLACE ONLY WITH ORIGINAL LAMPS OR FDA APPROVED EQUIVALENT**

#### BLACK ENERGY

|                |  |
|----------------|--|
| <b>CANOPY:</b> | <b>22 X COSMEDICO - COSMOLUX 140 W VHR NA1-15 140 W (NO. 16 150)<br/>6 x HEREAUS NOBLELIGHT - 400 W BQ 471 Z4 (NO. 002 245 or NO. 006 360)</b> |
| <b>LOUNGE:</b> | <b>20 x COSMEDICO - COSMOLUX 160 W VHR NA1-15-160 W (NO. 16 180)</b>   |

#### CPS+

|                |  |
|----------------|--|
| <b>CANOPY:</b> | <b>14 X COSMEDICO - COSMOLUX 160 W VHR NA1-15-160 W<br/>33 x COSMEDICO SHORT LAMPS-LS 25 W (COS. NO. 10 036)</b> |
| <b>LOUNGE:</b> | <b>20 x COSMEDICO - COSMOLUX 160 W VHR NA1-15-160 W (NO. 16 180)</b>   |

#### BLACK ENERGY XL:

**Filter discs DS 2932 and MUG 6 plus (NO. 22 010) 12 MIN. TIMER.**

|                |  |
|----------------|--|
| <b>CANOPY:</b> | <b>22 X COSMEDICO - COSMOLUX 160 W VHR NA1-15 160 W (NO. 16 180)<br/>6 x HEREAUS NOBLELIGHT - 400 W BQ 471 Z4 (NO. 002 245 or NO. 006 360)</b> |
| <b>LOUNGE:</b> | <b>20 x COSMEDICO - COSMOLUX 160 W VHR NA1-15-160 W (NO. 16 180)</b>   |

#### BLACK ENERGY XL:

**Filter discs SOLADUR (NO. 02 930) and MUG 6 plus (NO. 22 010) 15 MIN. TIMER.**

|                |  |
|----------------|--|
| <b>CANOPY:</b> | <b>22 X COSMEDICO - COSMOLUX VHO 160 W (COS. NO. 16 161)<br/>6 x HEREAUS NOBLELIGHT - 400 W BQ 471 Z4 (NO. 002 245 or NO. 006 360)</b> |
| <b>LOUNGE:</b> | <b>20 x COSMEDICO - COSMOLUX VHO 160 W (COS. NO. 16 161)</b>   |

## 6.4 Exchanging the Filter Mats

The air used to cool the unit is passed over micro-filter mats as it enters the unit. These filter out fluff, hair, dust particles etc. so that the parts inside the unit, such as lamps, must be cleaned less frequently. These filtered particles block the filter after long-term use and reduce the cooling effect of the unit. Therefore, you should renew the filter mats from time to time to prevent the unit overheating. How frequently you should change the filter mats depends on the operating time and amount of dirt.



Function

**Only obtain original filter mats from your specialist dealer or unit manufacturer.**

1. Check the filters after every 200 operating hours.

### 6.4.1 Filter Mats in the Base Casing

#### Removing the Large Covering Panel in Front of the Base

1. Remove the screws (14/9) from the covering panel (14/8).
2. Remove the covering panel by pulling forwards.

**The filter mats (14/7) are secured to the covering panel (14/6) with a strip of Velcro.**



Function

#### Exchanging the Filter Mats

1. Remove the filter mat by pulling forwards.
2. Insert the new filter mat and press down.

#### Fitting the Large Covering Panel in Front of the Base

1. Position the covering panel (14/8) in front of the base.
2. Screw in the screws (14/9).

### 6.4.2 Filter Mats in the Canopy

#### Removing the Small Covering Panel

1. Stand in front of the unit and press down the canopy.
2. Press your thumbs on the two front corners of the covering panel (15/1) and tilt it up until the brackets slide out of the recesses of the large covering panel (15/3).
3. Remove the small covering panel (15/1) upwards.

**The filter mats are fixed in the covering panel with a strip of Velcro (15/4).**

#### Changing the Filter Mats (15/2)

1. Remove the filter mats.
2. Install new filter mats and press down.
3. Fit the small covering panel (15/1).

## 6.5 Changing the Starter

### 6.5.1 Changing the Starter for Long Sunlamp and Standby Light

#### Removing the Small Covering Panel

1. Stand in front of the unit and press down the canopy.
2. Press your thumbs on the two front corners of the covering panel (15/1) and tilt it up until the brackets slide out of the recesses of the large covering panel (15/3).
3. Remove the small covering panel (15/1) upwards.

#### Removing the Covering Panel (15/5)

1. Remove the screws (15/6) from the covering panel (15/5).
2. Remove the covering panel.

#### Changing the Standby Light

1. Unscrew the starter (16/1) by turning anticlockwise.
2. Screw in the new starter by turning it clockwise.

#### Changing the Starter for the Long Sunlamp

1. Unscrew the starter (16/2) by turning anticlockwise.
2. Screw in the new starter by turning it clockwise.

#### Fitting the Covering Panel

1. Secure both covering panels (15/1,15/5).

## 6.5.2 Changing the Starter for the U-P-P Lamp (CPS+ unit)

### Removing the Small Covering Panel

1. Stand in front of the unit and press down the canopy.
2. Press your thumbs on the two front corners of the covering panel (17/4) and lift it up until the brackets slide out of the recesses of the large covering panel (17/6).
3. Remove the small covering panel (17/4) upwards.

### Removing the Covering Panel (17/5)

1. Unscrew the bolts from the covering panel (17/5).
2. Remove the covering panel.

### Removing the Large Covering Panel (17/6)

1. Unscrew the two bolts (17/3) from the covering panel (17/6).
2. Remove the covering panel from the back.

### Exchanging the Starter for the U-P-P Lamp

1. Unscrew the starter (17/7) by turning anticlockwise.
2. Screw in the new starter by turning it clockwise.

### Fitting the Covering Panel

1. First insert the large covering panel (17/6) into the groove of the rear edge of the canopy and then into the groove of the front edge.
2. Secure the covering panel using the two bolts (17/3).
3. Secure both covering panels (17/4,17/5).

## 6.5.3 Changing the Starter for the Floor Light

### Removing the Large Covering Panel in Front of the Base

1. Remove the screws (14/9) from the covering panel (14/8).
2. Remove the covering panel by pulling it forwards.

### Changing the Starter for the Floor Light

1. Unscrew the starter (14/1) by turning anticlockwise.
2. Screw in the starter by turning it clockwise.

### Fitting the Large Covering Panel in Front of the Base

1. Position the covering panel (14/8) in front of the base.
2. Screw in the screws (14/9).

## 6.6 Kinematics

### 6.6.1 Adjusting the Kinematics

1. The weight compensation of the canopy can be corrected if necessary using a fine adjustment screw (26/6). The fine adjustment feature must never be used to compensate for a defective spring mechanism.

**Therefore, check the condition of the springs (26/3) before changing the factory setting.**

2. Remove the large covering panel (14/8) and small covering panel together with the filter mats (41/6).
3. If you turn the threaded rod (26/6) to the right, the spring resistance increases and the canopy is raised higher.
4. If you turn the threaded rod (26/6) to the left, the spring resistance decreases and the canopy is raised less.

**Always turn both threaded rods the same number of turns.**

### 6.6.2 Changing the Springs

1. If you notice a **sudden** decrease in the resistance of the springs when raising or lowering the canopy, for example, if the canopy no longer stays in a certain position, check the springs (26/3). If a spring has broken, it must be replaced.

**Please contact uwe or your specialist dealer.**

**Always order original replacement springs from your specialist dealer or the unit manufacturer.**

**When exchanging a spring, set the canopy to the highest position and secure it against dropping down again.**



Function



Warning



Warning

### 6.6.3 Hydraulic Damper

If it is no longer possible to move the canopy, check the hydraulic damper (26/5). If defective, the hydraulic damper must be replaced.

Please contact uwe or your specialist dealer.

Always order original hydraulic dampers from your specialist dealer or the unit manufacturer.

When exchanging the hydraulic damper, always remember to secure the canopy to prevent it dropping down.



Warning

## 7 TIPS FOR RECTIFYING SMALLER FAULTS

Unplug the unit before you begin servicing and repair work.

Repairs must only be carried out by UWE or authorised persons.

Safety features must not be disassembled or put out of operation.

The unit must be tested to DIN VDE 0701 and a report written (with carbon copy) after all repair work is complete. The operator must keep a copy of the report and send a copy to UWE Customer Services.

- **Dark spots at the ends of the lamps**

Dark spots which appear at the ends of the lamps when switched off have no effect on the performance of the unit.

1. Exchange the starter as a precautionary measure.

- **One or several lamps not lit (change starter)**

#### Changing the Starter

1. Remove the appropriate acrylic panel.
2. Check if the lamp is inserted correctly.
3. Check the starter is inserted correctly.
4. Remove the starter of the lamp (see Table 1) which does not light by turning it anticlockwise and then reinsert by turning clockwise.
5. If the lamp still does not light, try inserting the starter of an intact lamp.
6. If this does not work, you must check the lamp.
7. Insert the lamp which does not light into a lamp holder where the lamp does not light up. If the lamp does not light it is faulty and must be exchanged. However, if the lamp does light up, there is an electrical fault in the unit.



Function

Inspection by UWE or an inspection centre named by uwe.

|               | Lamp                   | Starter position                | Measure                                     |
|---------------|------------------------|---------------------------------|---|
| <b>Canopy</b> | Long<br>Remove sunlamp | Canopy                          | Covering panels<br>(15/1, 15/5)             |
|               | Standby Light          | Canopy                          | Remove covering panels<br>(15/1, 15/5)      |
|               | U·P·P Lamp             | Canopy                          | Remove covering panels<br>(17/4,17/5, 17/6) |
| <b>Bed</b>    | Long<br>Remove sunlamp | Bed at at top of<br>Lamp socket | acrylic Panel<br>bed                        |
|               | Floor light            | Base casing                     | Remove covering panel<br>(14/8)             |

Table 1

- **The tanning canopy or tanning bed becomes too hot**

1. Check if the air filter (filter mats) are blocked.
2. With direct air return, ensure that the warmed cooling air is carried away without problem. The air must not be jammed in the hose or ventilation duct since this can cause the unit to overheat. The exhaust air hose must be laid without bends.



Function

Inspection by UWE or an inspection centre named by uwe.

## 8 DISPOSAL

### Lamp

Fluorescent lamps, U·P·P lamps and high-pressure burners are hazardous waste. They cannot be disposed of with domestic waste. The local authorities provide information with regard to disposal of these lamps.

### 9 INSTALLATION OF THE PROFI UNIT

The unit may only be set up by UWE personnel or authorised persons. At least two people are required to set up the unit. The rooms used to set up the units must be well ventilated or there is a danger of overheating.

#### 9.1 State on Delivery and Place of Installation

The unit is transported and delivered pre-assembled on a pallet. The unit is firmly secured on the pallet with straps and wrapped in protective wrap. The pallet is unloaded on-site using a hydraulic ramp or fork-lift truck. The unit must be dismantled on the pallet and then reassembled at the installation site. All units are intended solely for tanning indoors. The unit must only be operated in areas free from the danger of explosions and in dry rooms. The rooms must be well-ventilated.

#### 9.2 Assembly and Installation

Remove the straps and packaging wrap.

##### 9.2.1 Disassembling the Canopy

###### Removing the covering panel

1. Stand in front of the unit.
2. Press down the canopy.
3. Press your thumbs on the two front corners of the covering panel (17/4) and lift it up until the brackets slide out of the recesses (17/6) of the large covering panel.
4. Remove the covering panel upwards (17/4).

###### Removing the Covering Panel (17/5)

1. Unscrew the bolts from the covering panel (17/5).
2. Remove the covering panel.

###### Removing Large Canopy Covering Panel

1. Remove the filter mats (17/2).
2. Unscrew the 2 screws (17/3).
3. Remove the covering panel (17/6).

###### Removing the Canopy

1. Unscrew the 4 cheese head screws (18/3) with hexagon socket.
2. Check that the plug connections (18/8,18/10) between the canopy and the base (see retaining bracket) are disconnected.



Function

###### Important

3. First push up the canopy at the front bracket to the upper limit stop and then pull the hooks (18/1) over the rails (18/4) of the retaining brackets.

###### Removing the Large Covering Panel in Front of the Base

1. Remove the screws (19/5) from the covering panel (19/6).
2. Remove the covering panel by pulling it forwards.

###### Removing the Covering Panel (19/3)

1. Unscrew the screws (19/4) and remove the covering panel (19/3) and filter mats.

###### Removing the Covering Plate (22/16)

1. Unscrew the screws and remove the covering plate.

##### 9.2.2 Disassembling the Bed

###### Removing the Bed

**Note** Check that the plug connection (22/12) between the bed and the board has been unplugged.

1. Check that the nuts (20/8) and washers (20/7) have been removed from the bolts (20/3) of the bed.
2. Remove the bed (20/2).

### 9.2.3 Disassembling the Boards and Air Conditioning Casing (Special Accessories)

#### Disassembling the Boards

1. If the plug-connections (22/9, 22/10) to the canopy run upwards, remove the cable clips (21/6).
2. Pull the jacks and cable (22/9,22/10) down into the base casing.
3. Check that all plug-connections between the boards and the unit and between the boards themselves have been disconnected.

**Do not unplug the mains cable (22/11) from the control board.**

4. First remove control board (22/15).
5. You can then remove the bed board (22/5) and the canopy board (22/6).



Function

#### Disassembling the Air Conditioning (if available as a special accessory)

1. Remove the air-conditioning unit (22/1).
2. Disconnect the coupling (22/3) of the air conditioning unit from the coupling (22/2) of the unit. Use a screwdriver to loosen the safety coupling.

### 9.2.4 Disassembling the Retaining Brackets

The two retaining brackets of the canopy can be disassembled if necessary due to shape of building.

#### Disassembling the Retaining Brackets

1. Remove the two covering panels (21/1, 21/7).
2. Label the retaining brackets (21/4, 21/8) with left and right.
3. Unscrew the screws (21/2) with tooth lock washers (21/3).
4. Remove the retaining brackets by lifting upwards.



Function

### 9.2.5 Assembling the Base

#### Assembling the Base

1. Set up the base in the room according to the dimensions of the unit. Please note that the unit must stand at least 6.5 cm away from the wall (see the sticker on the side of the base).

#### Assembling the Retaining Brackets (if disassembled)

1. Insert the retaining brackets (21/4, 21/8) into the base according to the labelling.
2. Screw the retaining brackets tight with the screws (21/2) and tooth lock washers (21/3).

### 9.2.6 Assembling the Boards

#### Inserting the Boards

1. Insert the boards into the corresponding, labelled slots as far as they will go.
2. Loosen the bracket (21/5) on the left retaining bracket.
3. Pull the cable (22/9) and jack (labelled X4) of the canopy board (22/6) through the left retaining bracket.
4. Pull the cable (22/10) and jack (labelled X5) of the control board (22/15) upwards through the left retaining bracket.

#### Warning!

**Make sure that both cables (22/9, 22/10) are behind the cable guard plate (22/20).**

5. Secure the cables on the bracket (21/6) using the cable clips (21/5).
6. Fix the bracket (21/5) on the left retaining bracket.  
The plugs should be 5 cm above the bracket.



Warning

#### Connecting the Plug Connections

1. Plug all plug connections into the base apart from the plug connection between the bed and the bed board (22/12).

**All plug connections are coded.**

#### Fitting the Covering Panel

1. Screw the covering panel (21/1) tight between the two retaining brackets.

### 9.2.7 Assembling the Air Conditioning Unit (if available as a special accessory)

#### Fitting the Air Conditioning Unit (22/1)

1. Check that the shielding panel (22/4) has been removed and that the two brackets (22/19) are secured.
2. Pull the cable (22/2) from the terminal to the space allocated for the air conditioning unit.
3. Connect the coupling of the air conditioning unit (22/3) to the coupling (22/2) of the connection cable.
4. Push the air conditioning unit (22/1) into the free space.

**If you are using your unit without air conditioning, DO NOT remove the shielding panel (22/4).**



Warning

### 9.2.8 Assembling the Canopy

**Note** Check that all 8 set screws (18/5) in the rails of the retaining brackets are screwed in so that they are flush with the lower edge of the rails (18/4).

#### Fitting the Canopy

1. Lift the canopy and hold over the retaining brackets.
2. Guide the rails (18/4) of the retaining brackets into the hooks (18/1) of the canopy. **The narrow side of the upper rail fits snugly against the hooks. The lower rail has a few millimetres clearance.**
3. Screw in the set screws (18/5) so that the wide side of the rails (18/4) are next to the hooks (18/1) and the set screws press on the side bar (18/2).
4. If the canopy is crooked when closed, adjust the set screws (18/5).
5. Fit 4 cheese head screws (18/3) as a safety measure.



**Warning**

5. **Fit 4 cheese head screws (18/3) as a safety measure. Make sure the cheese head screws with hexagon socket (18/3) are screwed in tight.**
6. Connect the 2 sockets secured to the retaining bracket to the plugs of the canopy (18/7, 18/8).



**Warning**

#### Fitting the Air Guidance Casing and Covering Panel

**The air guidance casing is essential for blowing cool air into the tanning area.**

1. Secure the air guidance casing (23/2) between the retaining brackets of the canopy.
2. Fit the covering panel (23/1).

#### Mounting the Large Canopy Covering Panel

1. Insert the covering panel (24/4) into the groove in the rear edge of the canopy and then into the groove in the front edge.
2. Screw the screws (24/2) through the covering panel into the bracket (24/7) of the canopy.
3. Secure the filter mats (24/3) in place.

#### Fitting the Covering Panel

1. Insert the covering panel (24/7) into the groove of the rear edge of the unit.
2. Screw the screws (24/8) into the large covering panel (24/4).

#### Fitting the Small Canopy Covering Panel

1. Stand in front of the unit. Take hold of the small covering panel (24/1).
3. Clip the brackets on the back of the small covering panel into the recesses of the covering panel (24/7).
4. Lower the covering panel and insert the brackets on the opposite side of the panel into the large covering panel (24/4).

### 9.2.9 Assembling the Bed

#### Fitting the Bed

1. Lift the bed and hold it over the base.  
The threaded bolts (20/3) on the under side of the bed must be at the front.
2. Place the bed on the base.
3. Ensure that the centring pins (20/1) are inserted into the drill holes (20/5) and the threaded bolts (20/3) fit into the holes of the mounting straps (20/6).



**Warning**

#### Warning:

**Do not trap the bed cable (20/4). The cable must drop into the base.**

4. Secure the threaded bolts (20/3) using the washer (20/7) and nut (20/8).
5. Connect the 29-pin cable and plug of the bed with the socket of the bed board (22/12).
6. Check that all plug-in modules are pushed all the way back and that all plug connections are joined.
7. Secure the covering plate (20/9) in place with the screws.

#### Bed Air Conditioning

##### Fitting the Covering Panel

1. Use the screws (25/4) to fasten the covering panel (25/3) to the foot of the bed (25/1) and to the base casing (25/2). The screws required (25/4) are screwed into the front and base casing.

### 9.2.10 Setting the Operating Mode

#### Setting the Operating Mode

1. Set the service switch (19/2) to 1.
2. Set the preselection switch (19/1) to either coin (coin symbol) or private use (clock symbol) according to your requirements.

### 9.2.11 Private Use



Warning

**Unplug the unit from the mains.**

If the unit is intended for private use, you must operate two switches. On the control board there are two switches and an operating hours counter.



Function

1. Flick switch (19/1) to 'Private Operation' (clock symbol).

**The second switch is on a circuit board inside the canopy.**

2. Remove the small covering panel (24/1).
3. Take out the filter mats (24/3).
4. Unscrew the 2 screws (24/2).
5. Remove the large covering panel (24/4).
6. Now flick the slider switch (36/6) on the circuit board to the 'Private Operation' mode (clock symbol) and insert the spring wire (24/5) if available on your unit.
7. Replace the canopy covering panels.

#### Fitting the Covering Panel on the Base

1. Use the screws (19/4) to secure the covering panel and filter mats (19/3)
2. Secure the covering panel (19/6) with the screws (19/5).

### 9.3 Fitting the Superfan

#### Setting up the Superfan

1. Fit the Superfan flush with the front edge of the covering panel (25/7) at the foot of the bed.
2. Insert the plug (25/5) of the Superfan into the appropriate socket (25/6).

### 9.4 Connecting the Exhaust



Warning

#### Warning! Important Information!

The units are designed such that the cooling air warmed after passing through the tanning area is blown into the room and from there expelled by the exhaust unit of tanning cabin. Alternatively, the used cooling air is guided directly to the outside of the building via the central exhaust duct, located at the rear or side of each unit.

**Note** uwe recommends guiding the used cooling air via a direct air exhaust duct (central exhaust duct).

#### 9.4.1 Direct Air Extraction with a Rear Exhaust Duct

##### Fitting the Exhaust Hose

1. Replace the slotted exhaust covers (12/3) on the sides of the unit with the 2 closed exhaust covers (12/1).
2. Replace the rear covering plate with the connecting pipe (12/2).
3. If the wall-bushing cannot be fitted directly behind the connecting pipe, fit the exhaust hose (diameter 250 mm) to the connecting pipe with a pipe clip.

#### 9.4.2 Direct Air Extraction with a Side Exhaust Duct

##### Fitting the Exhaust Hose

1. Remove the slotted exhaust covers (12/3) on the sides of the unit.
2. Choose the side of the unit most suitable for air extraction.
3. On this side, fit the connecting pipe (12/4) and the exhaust hose (diameter 250 mm) Secure the exhaust hose with the pipe clip.
4. On the other side of the unit, close the exhaust air duct with the closed covering plate (12/1).



Warning

**The rear exhaust opening remains closed.**

5. Guide the exhaust hose to the outside of the building using a connecting pipe, wall-bushing and external cover with automatic opening feature (accessory). Alternatively, the exhaust hose can be connected to a ventilation shaft.

**Note** Further information about effective ventilation can be found in the „VENTILATION TIPS“ catalogue available either from us or your specialist dealer.



Warning

#### **Warning, Important Information! Please Read, Danger of Overheating!**

If the exhaust air is guided outside via a ventilation shaft, it must be ensured that the flow resistance inside the shaft is as low as possible and if necessary an additional fan must be installed. In this case please consult an air-conditioning / ventilation engineer.

The exhaust airflow is approx. 2,000 m<sup>3</sup>/hour; the same amount of fresh air must be introduced into the cabin of the unit. You must therefore install fresh air vents in the cabin wall with an open cross section of at least 1000 cm<sup>2</sup>.

#### **9.5 Electrical Connection**

**Warning:** Electrical connections must be carried out by a qualified electrician in accordance with the valid DIN, VDE and UVV specifications. The persons setting up the unit must test the unit and write a report (with carbon copy) in accordance with DIN VDE 0701. The operator must keep a copy of the report and send a copy to UWE Customer Services.

On delivery, the unit is equipped with a 5-core mains cable for connection to rotary current 3 N ~ 400 V 50 Hz, neutral and earthed conductors. The appropriate wiring diagram is supplied with every unit.

1. Equip this supply line with a separating switch (plug, main switch, fuses) which allows the unit to be completely separated from the mains.

#### **9.6 Coin Meter or Central Desk Operation**



Warning

##### **Warning**

If the unit is to be operated by a coin meter or by central desk operation, switch (19/1) in the base must be set to coins (5 DM symbol).

##### **Coding Plug**

1. Insert the coding plug (22/18) into the special socket (22/17) with the securing ring.

The cable (22/18) establishes the connection to the coin meter or central desk. The cable is a 7-core cable (phase, switched phase conductor and PE). The coin meter does not therefore require a separate mains connection. The switch in the coin meter or central desk must be able to withstand inductive loads of up to 16 A.

##### **Fitting the Coin Meter**

The unit may only be connected by a qualified electrician in accordance with DIN VDE 0100.

Information with regard to operating and setting the unit can be found in the coin meter operating instructions.



Warning

##### **Warning!**

For safety reasons, ensure that the maximum tanning session with this unit is limited to 30 minutes.

#### **9.7 Installing Air Conditioning at a Later Stage (Accessories)**

If you order an air-conditioning unit at a later stage, the tanning unit must be converted.



Warning

**Unplug the unit from the mains.**

##### **Removing the Large Covering Panel in Front of the Base**

1. Remove the screws (19/5) from the covering panel (19/6).
2. Remove the covering panel by pulling it forwards.

##### **Removing covering panel and filter mats**

1. Unscrew the screws (19/4) and remove the covering panel (19/3) and filter mats.

### Fitting the Air Conditioning Unit (22/1)

1. Remove the bed.
2. Remove the shielding panel (22/4).

#### Tip

**Note** It is easier to remove the shielding panel if you first remove both brackets (22/19).

3. You must fit the two brackets again (22/19).
4. Pull the connection cable (22/2) for the air conditioning unit from the clip in the base casing to the recessed space.
5. Connect the coupling (22/3) of the air conditioning unit with the coupling (22/2) of the connection cable.
6. Push the air-conditioning unit all the way into the recessed space.
7. Install the bed.



Function

**If the unit is operated with air conditioning, both brackets (22/19) must be fitted. If the unit is operated without air conditioning, the shielding panel (22/4) must be fitted. The unit must not be operating without this panel.**

### Fitting the Covering Panel and Filter Mats

1. Take the covering panel (19/3) in secure using the screws (19/4).

### Fitting the Large Covering Panel in Front of the Base

1. Fit the covering panel (19/6) flush with the base.
2. Secure the covering panel in place using the screws (41/3).

## 10 INITIAL OPERATION

### 10.1 Technical Specifications\* and Dimensions

| Designation  | CPS+   | BLACK ENERGY           | BLACK ENERGY XL  |
|--|--|------------------------|--|
| Unit Type  | uwe-CPS+   | uwe-BE                 | uwe-BE-XL  |
| Lamp configuration   | 14 x 160 W   | 22 x 140 W             | 22 x 160 W   |
| Canopy over body area  | 26 x 25 W  |                        |  |
| Lamp configuration<br>Canopy over face area                            | 13 x 25 W  | 6 x 400 W              | 6 x 400 W  |
| Lamp configuration-Lounge  | 20 x 160 W   | 20 x 160 W             | 20 x 160 W   |
| Power (W)  | 8,700  | 10,600                 | 11,500   |
| Operating voltage (V)  | 220 V / Three Phase<br>or 220 V / Double Phase   |                        |  |
| Amperage (A)   | 60/3 wire  | 40/4-Wire or 60/3 wire | 40/4-Wire or 70/3 wire   |
| Weight (lbs)   | approx. 950  | approx. 950            | approx. 1100   |
| Dimensions in inches<br>L ength<br>Widht<br>Height<br>with canopy open | $87\frac{1}{2}$<br>$50\frac{1}{3}$<br>(+ $7\frac{3}{4}$ for rear exhaust duct)<br>47<br>58 |                        | $96\frac{1}{2}$<br>$50\frac{1}{3}$<br>(+ $7\frac{3}{4}$ for rear exhaust duct)<br>47<br>58 |
| Room temperature for operation max. 75° F                              |  |                        |  |

\* We reserve the right to make technical changes

\* We recommend a Buck/Boost transformer to properly regulate electrical current.

### Sunlamp Covering

The sources of UV-light are covered in the upper part by a panel of 2.5 mm thick acrylic glass and in the lower part by two panels of acrylic glass, each 4 mm thick. The special Lightglass acrylic panels are frosted on the side facing the lamps. There is a reflector made of mirror-finish rolled, electronically polished and anodised aluminium between the lamps and the canopy and bed.

- **BLACK ENERGY, BLACK ENERGY XL (VHR lamps, 12 MIN. TIMER).**

The high-pressure burners are covered with type DS 2932 (facing the burners) and MUG 6 plus (NO. 22 010) filter discs.

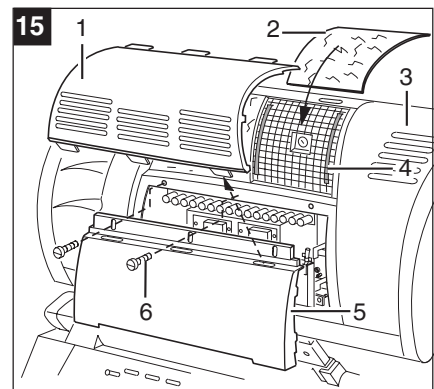
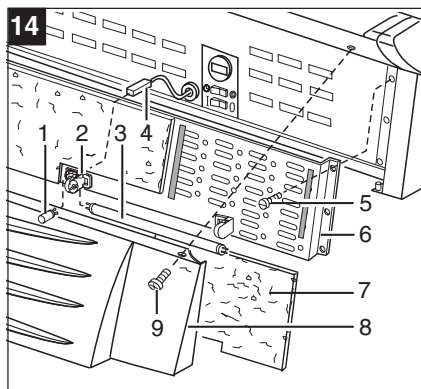
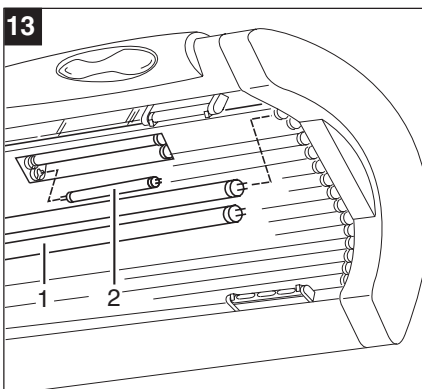
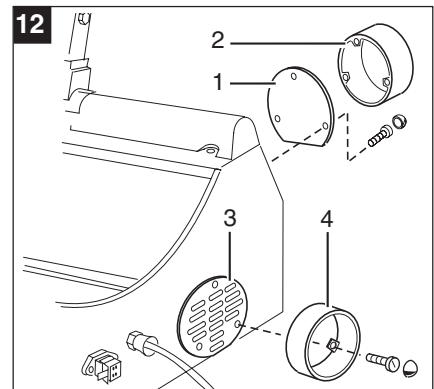
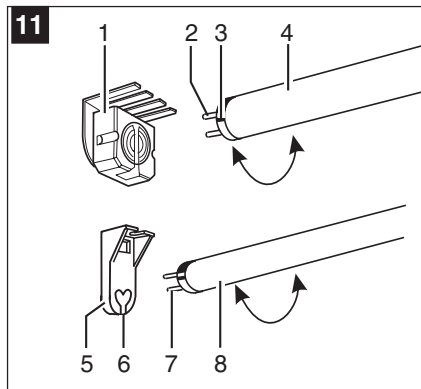
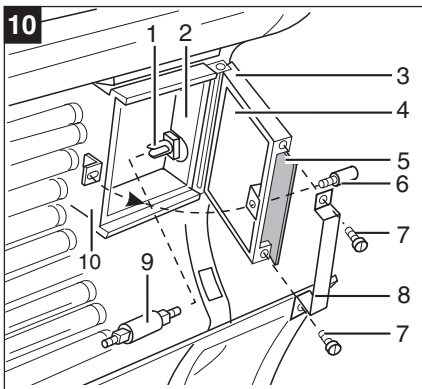
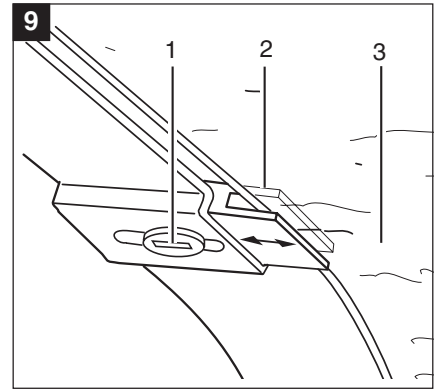
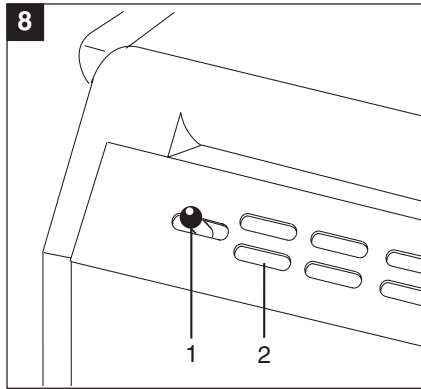
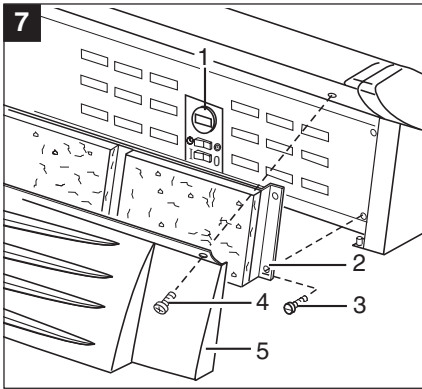
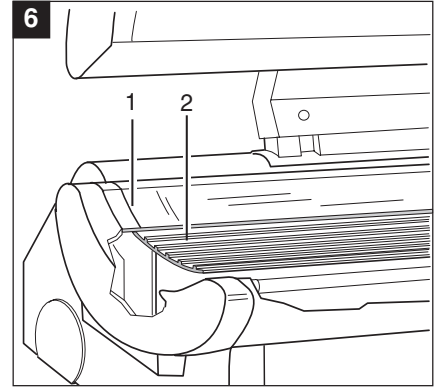
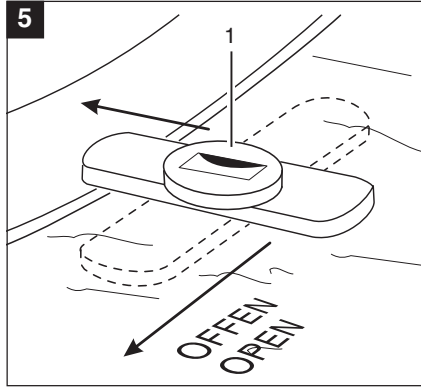
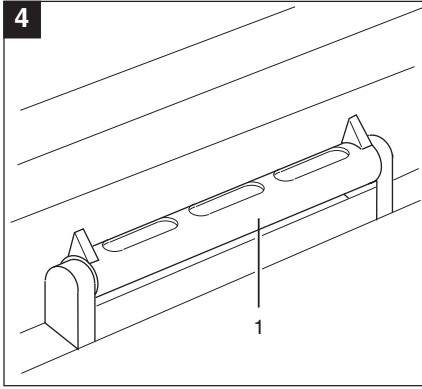
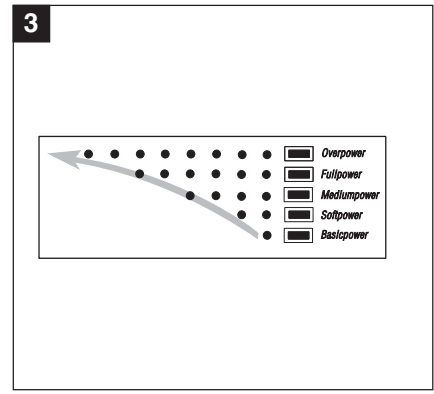
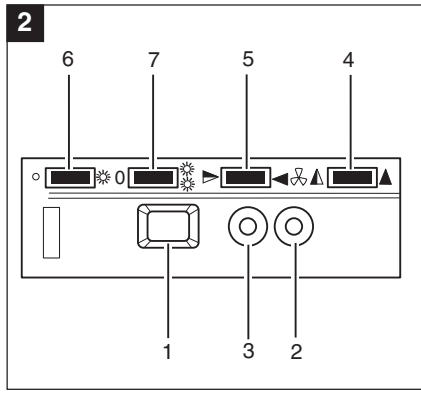
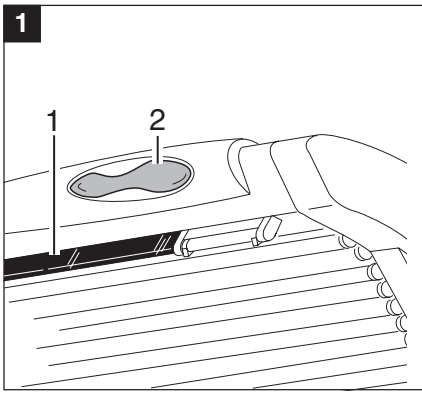
- **BLACK ENERGYXL (VHO lamps, 15 MIN. TIMER).**

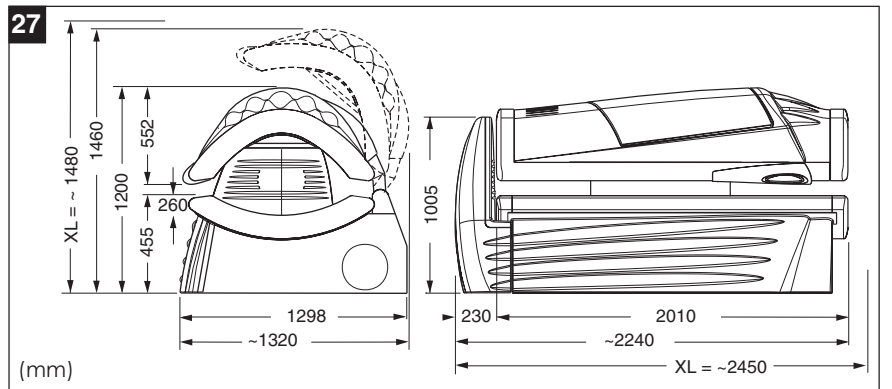
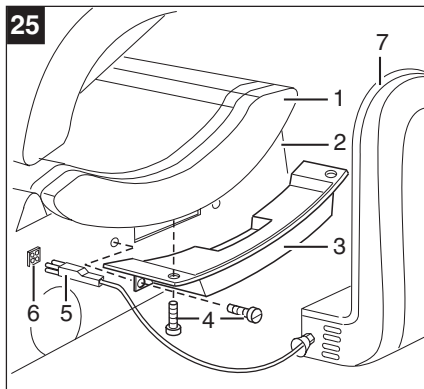
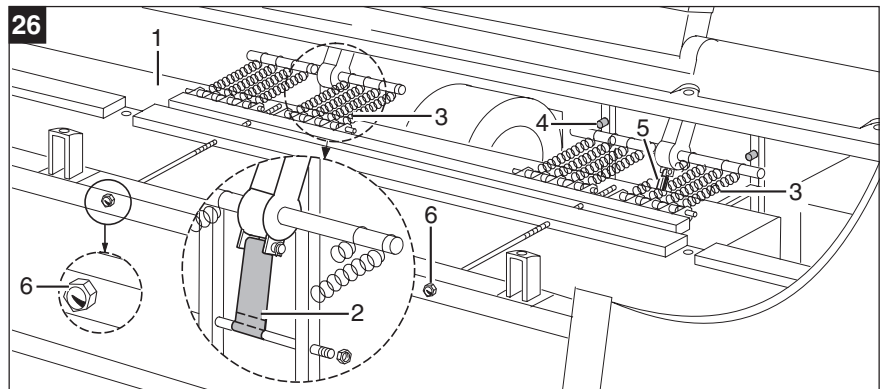
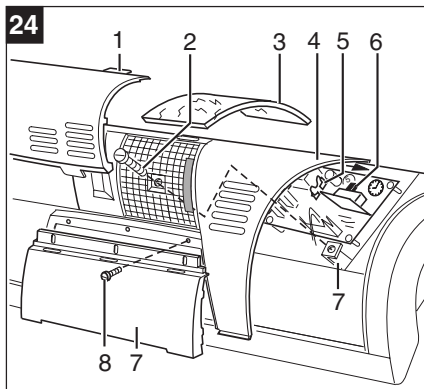
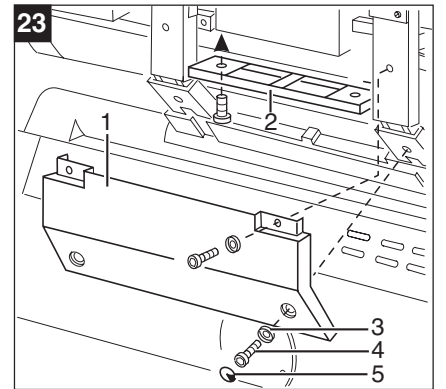
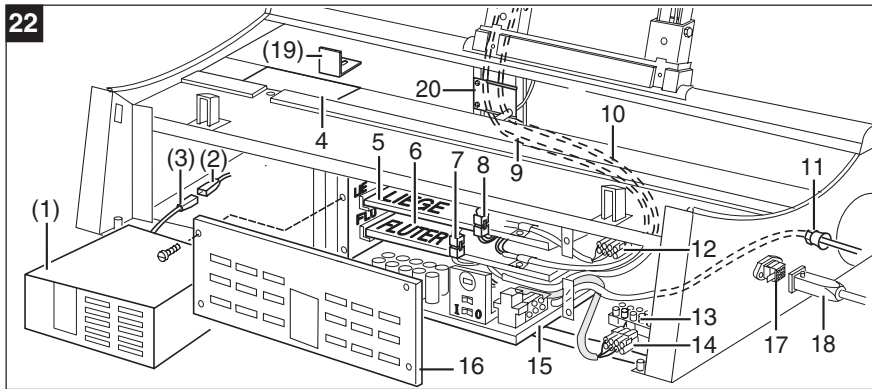
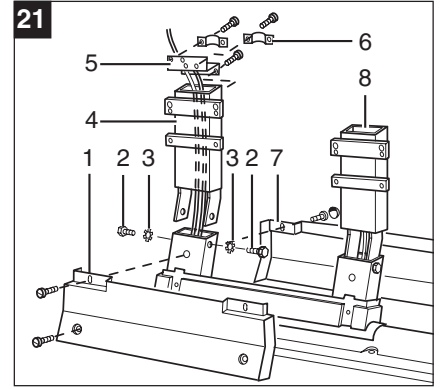
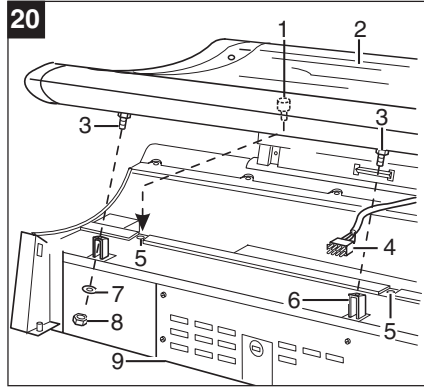
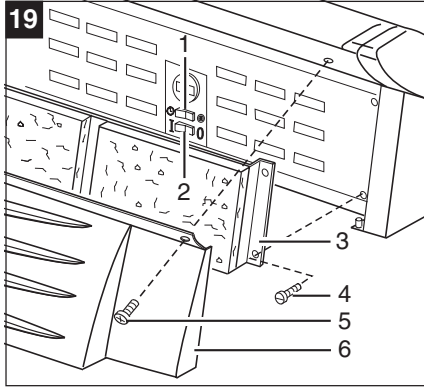
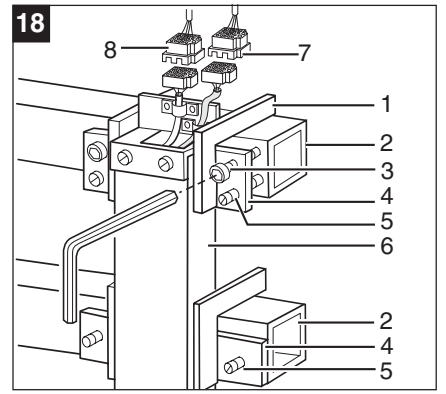
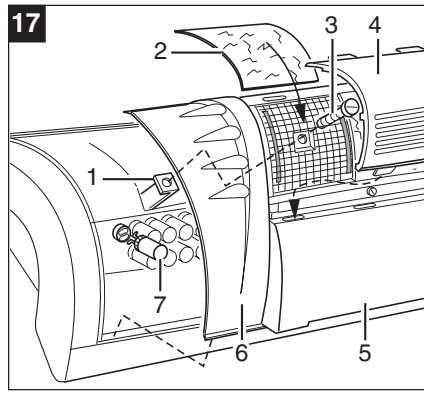
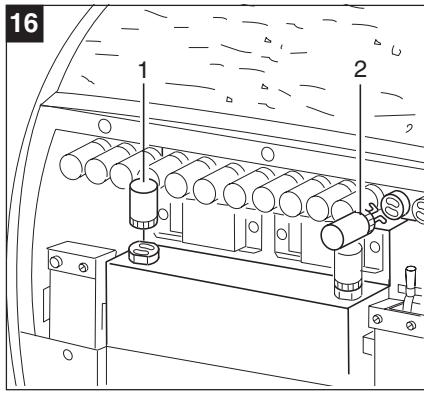
The high-pressure burners are covered with type SOLADUR (NO. 02 930, facing the burners) and MUG 6 plus (NO. 22 010) filter discs.

## 11 CUSTOMER SERVICE ADDRESS

PC MARKETING  
 1040 WILT AVENUE  
 RIDGEFIELD, NJ 07657

1-800-FAST TAN





PC MARKETING  
1040 WILT AVENUE  
RIDGEFIELD, NJ 07657

1-800-FAST TAN



MARKETING  
ID-NR. 261 735 / 01/03